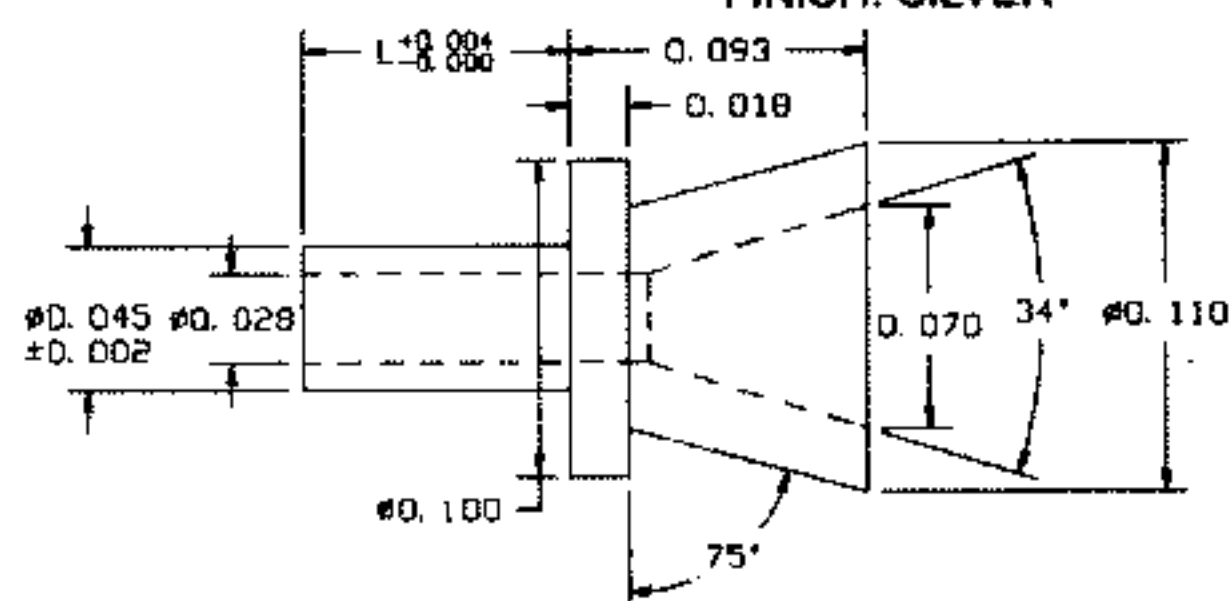


TERMINALS

11-936-X-01

MATERIAL: BRASS
FINISH: SILVER



PART NO.	L	T	TOOLS	
11-936-11	.037	1/64	ANVIL	PUNCH
11-936-1	.053	1/32	TA10-936	TP47-26
11-936-2	.084	1/16		
11-936-3	.115	3/32		
11-936-4	.147	1/8		

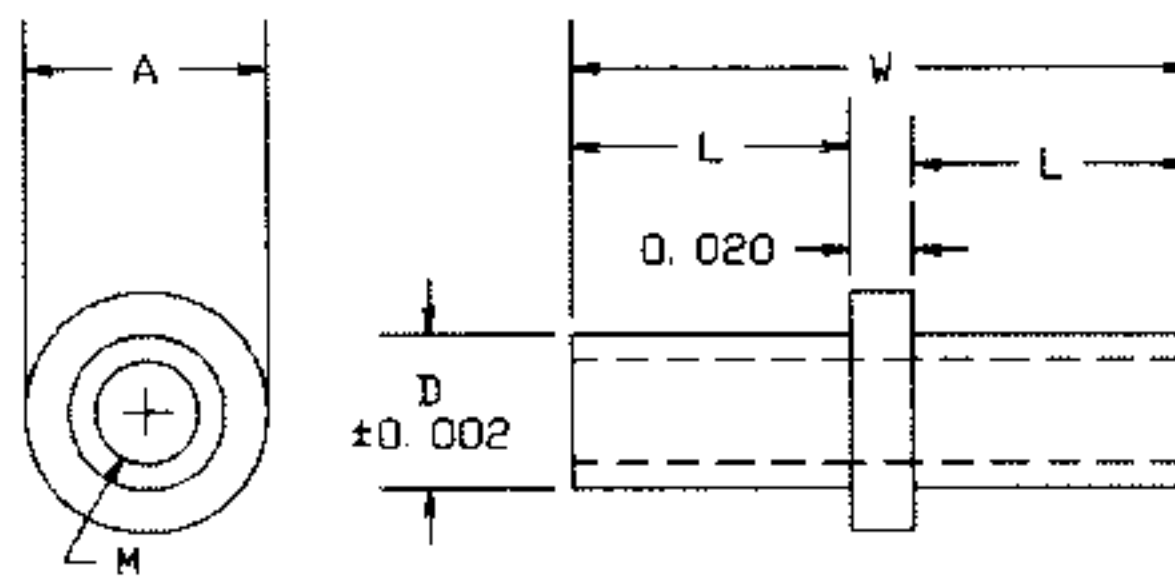
10-910-X-05

10-911-X-05

10-912-X-05

10-913-X-05

MATERIAL: BRASS
FINISH: ELECTRO-SOLDER



PART NO.	L	W	M	D	A	T
10-910-2	.080	.180	.022	.039	.062	1/16
10-911-2	.090	.200	.028	.046	.078	1/16
10-912-2	.090	.200	.033	.050	.078	1/16
10-913-2	.090	.200	.040	.059	.094	1/16

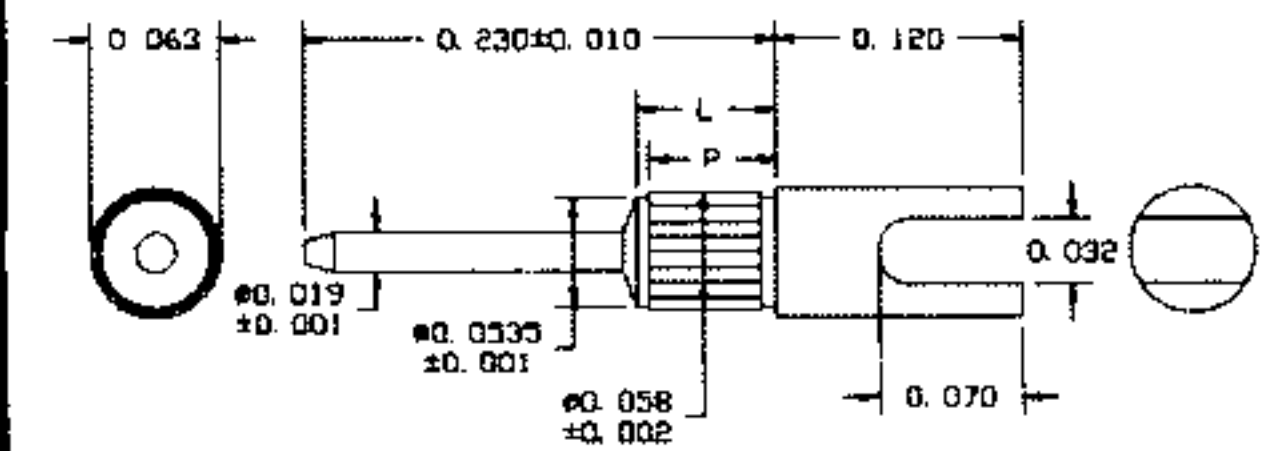
P/N	MTG HOLE
10-910-2	.043(#57 DRILL)
10-911-2	.052(#55 DRILL)
10-912-2	.055(#54 DRILL)
10-913-2	.064(#52 DRILL)

PART NUMBER	ANVIL	PUNCH
10-910-2	TA62-40-20	TP40-25
10-911-2	TA78-46-20	TP47-26
10-912-2	TA78-50-20	TP50-33
10-913-2	TA94-59-20	TP62-44

10-8014-2-XX

PIN .019-PLUG SLOTTED KNURL MOUNT

MATERIAL: BRASS
FINISH: GOLD (03)
ELECTRO-TIIN (04)

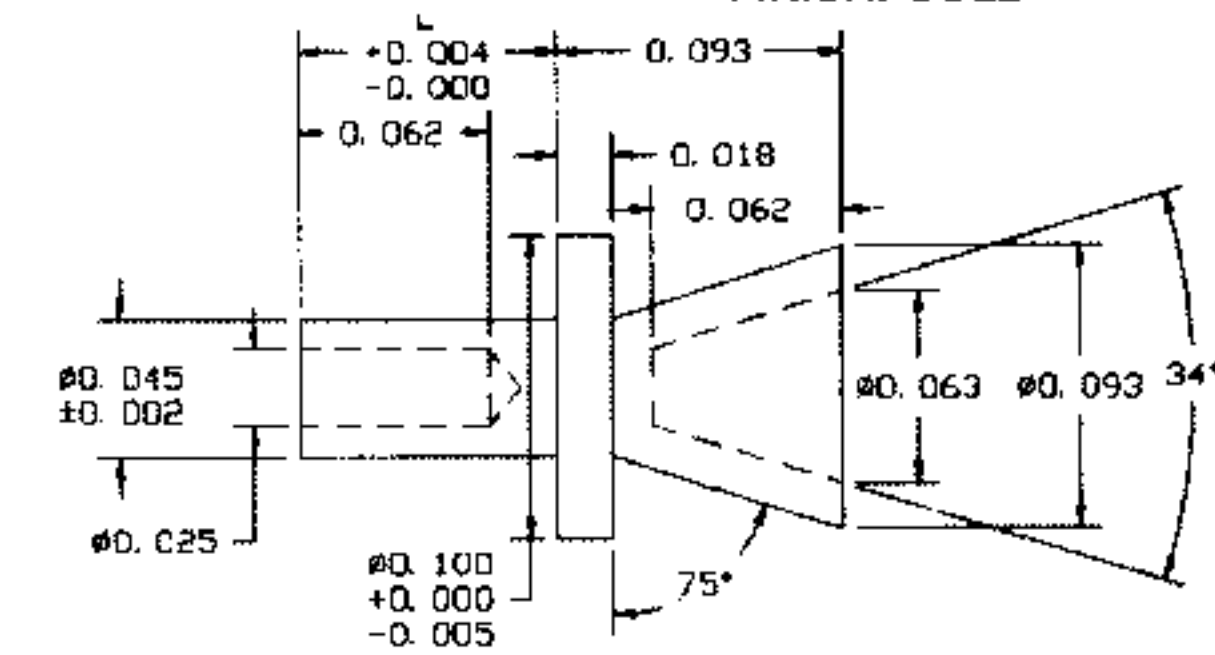


RECOMMENDED MOUNTING HOLE
.055±.002 DIA. (#54 DRILL)

PART NO.	L	P	T
10-8014-2-XX	.068	.055	1/16

10-929-2-03

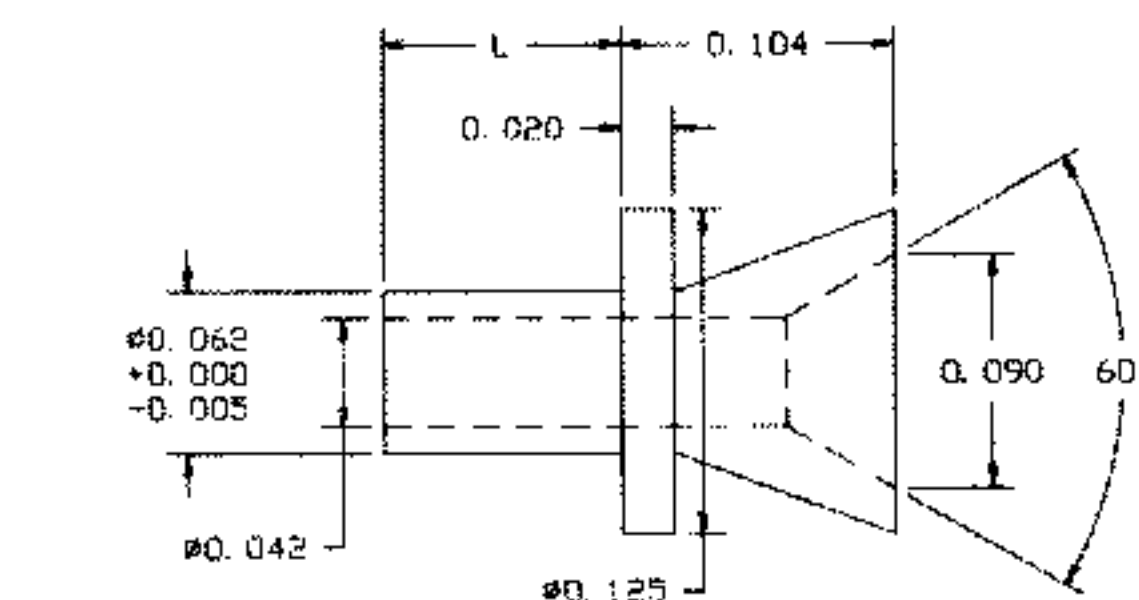
MATERIAL: BRASS
FINISH: GOLD



PART NO.	L	T	TOOLS	
10-929-2	.084	1/16	ANVIL	PUNCH
			TA10-929	TP47-26

12-961-X-03

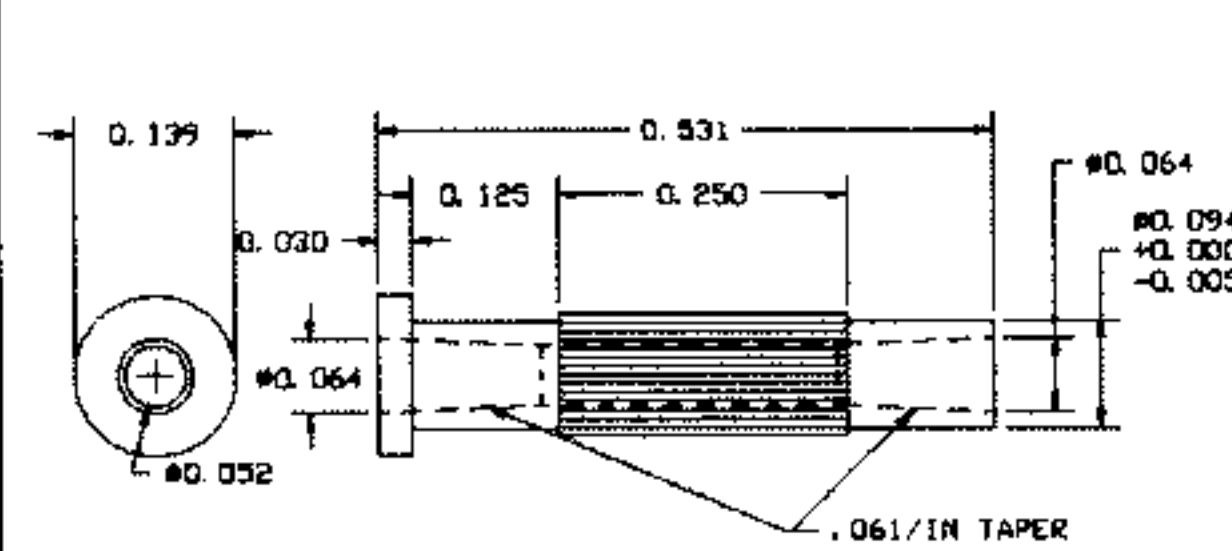
MATERIAL: BRASS
FINISH: GOLD



PART NO.	L	T	TOOLS	
12-961-1	.062	1/32	ANVIL	PUNCH
12-961-2	.084	1/16	TA10-961	TP62-44
12-961-3	.125	3/32		
12-961-4	.156	1/8		

12-928-1-01

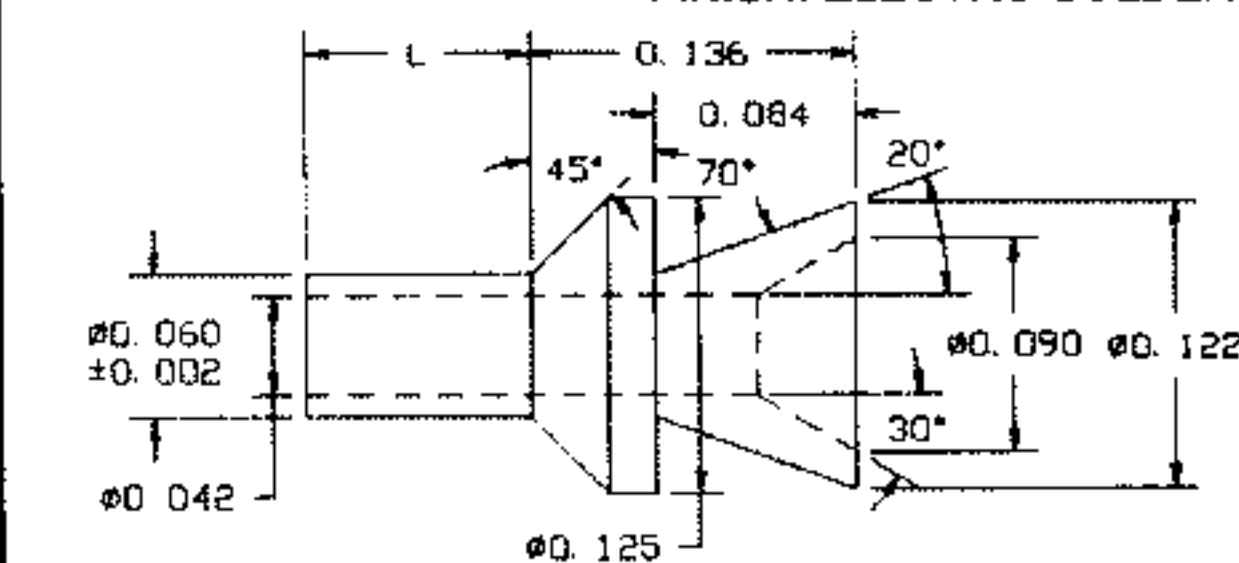
MATERIAL: BRASS
FINISH: SILVER



PART NO.	L	T
12-928-1	.531	.500

10-906-X-05

MATERIAL: BRASS
FINISH: ELECTRO-SOLDER

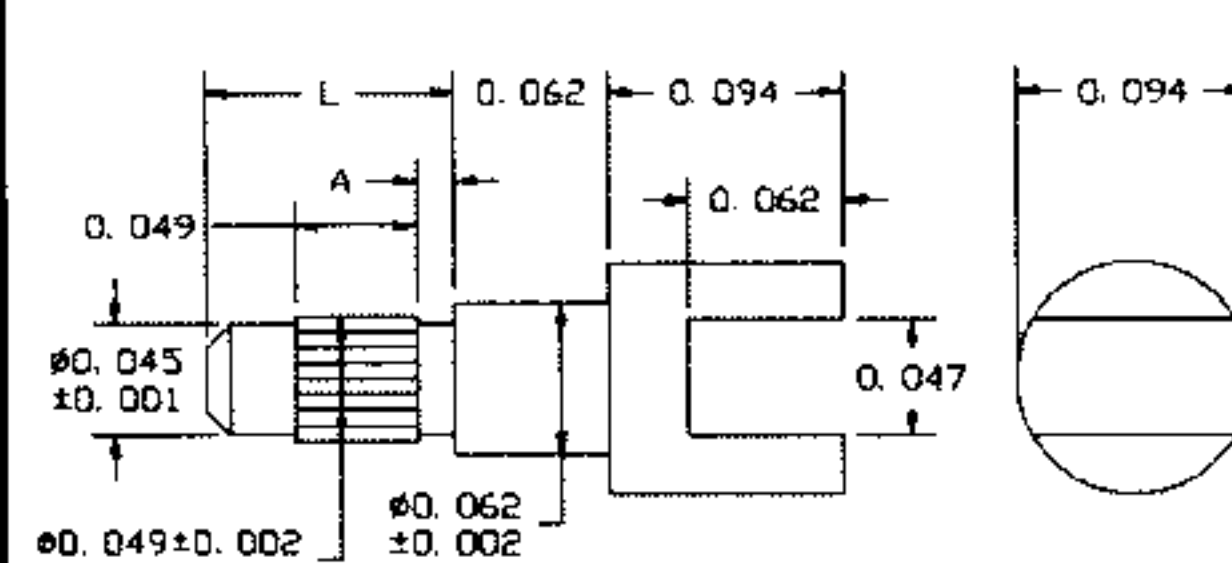


RECOMMENDED MOUNTING HOLE .064 DIA (#52 DRILL)

PART NO.	L	T	TOOLS	
10-906-1	.062	1/32	ANVIL	PUNCH
10-906-2	.094	1/16	TA10-906	TP62-44
10-906-3	.125	3/32		
10-906-4	.156	1/8		

10-907-1-05

MATERIAL: BRASS
FINISH: ELECTRO-SOLDER

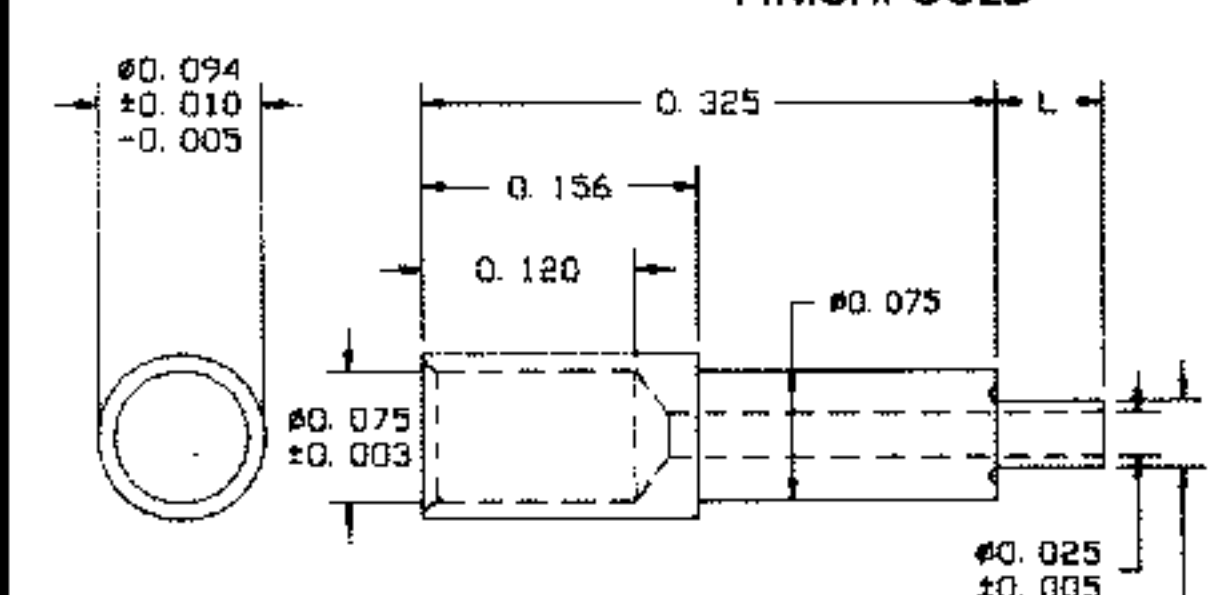


RECOMMENDED MOUNTING HOLE .047 DIA (#56 DRILL)

PART NO.	L	A
10-907-1	.297	.031
10-907-2	.100	.015

12-938-X-03

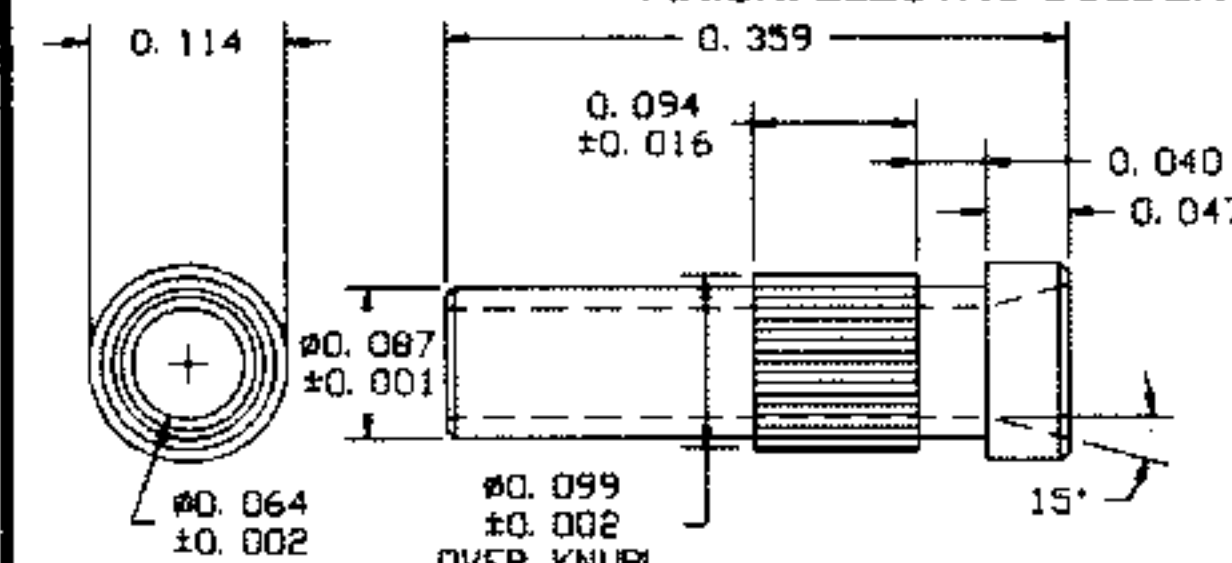
MATERIAL: BRASS
FINISH: GOLD



PART NO.	L	T
12-938-11	.045	1/64
12-938-1	.060	1/32
12-938-2	.092	1/16
12-938-3	.132	3/32

10-909-1-05

MATERIAL: BRASS
FINISH: ELECTRO-SOLDER



RECOMMENDED MOUNTING HOLE .089 DIA (#43 DRILL)

FOR ADDITIONAL SIZES AND MATERIALS, CONTACT FACTORY

