



⚠ WARNING	
	ELECTROCUTION HAZARD Disconnect electric power to system at main fuse or circuit breaker box before servicing. Failure to do so could result in death or serious injury.
	FIRE HAZARD Do not exceed transformer ratings. Higher voltage may damage control and could cause personal injury or property damage.

SPECIFICATIONS:

INPUT:	115/230 VAC, 50/60 Hz
OUTPUT:	See Table
INSULATION RATING:	Class B (130° C)
DIELECTRIC STRENGTH:	4,000 VRMS
AGENCY APPROVALS:	UL recognized component for use in the US and Canada TUV certified to EN61558 Designed to requirements of EN60950
FILE NOS.:	UL File # E173993 TUV Report # DI 401341

NOTES:

1. Designed for single input and single output use only and requires simultaneous use of all windings.



2. The input to the transformer must be fused with an IEC 60127-2 Standard Sheet 3 Time lag (surge-proof) Low-breaking capacity or Standard Sheet 6 Time lag (surge-proof) Enhanced breaking capacity fuse. The fuse value are shown in the Dimensions and Requirements Table

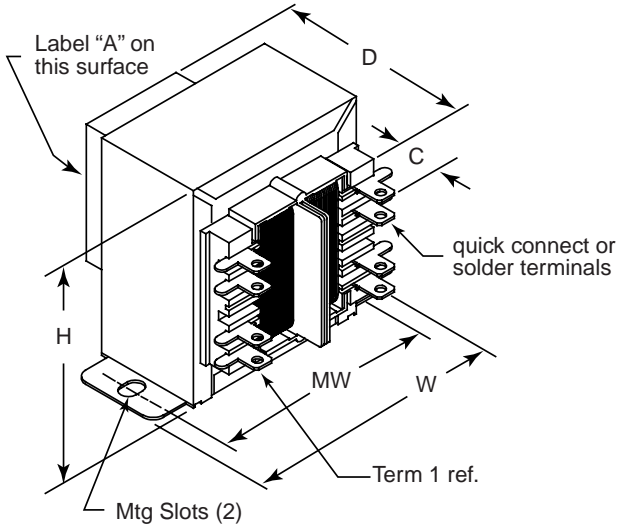
STANCOR PART NUMBER	VA	Secondary RMS Rating		Agency Certif.
		Series Volts	Parallel Amps	
TGC25-10	25	10.0 C.T. @ 2.50	5.0 @ 5.00	† ‡
TGC43-10	43	10.0 C.T. @ 4.30	5.0 @ 8.60	† ‡
TGC80-10	80	10.0 C.T. @ 8.00	5.0 @ 16.00	† ‡
TGC130-10	130	10.0 C.T. @ 13.00	5.0 @ 26.00	†
TGC175-10	175	10.0 C.T. @ 17.50	5.0 @ 35.00	†
TGC25-12	25	12.6 C.T. @ 2.00	6.3 @ 4.00	† ‡
TGC43-12	43	12.6 C.T. @ 3.40	6.3 @ 6.80	† ‡
TGC80-12	80	12.6 C.T. @ 6.30	6.3 @ 12.60	† ‡
TGC130-12	130	12.6 C.T. @ 10.30	6.3 @ 20.60	†
TGC175-12	175	12.6 C.T. @ 14.00	6.3 @ 28.00	†
TGC25-16	25	16.0 C.T. @ 1.60	8.0 @ 3.20	† ‡
TGC43-16	43	16.0 C.T. @ 2.70	8.0 @ 5.40	† ‡
TGC80-16	80	16.0 C.T. @ 5.00	8.0 @ 10.00	† ‡
TGC130-16	130	16.0 C.T. @ 8.10	8.0 @ 16.20	†
TGC175-16	175	16.0 C.T. @ 11.00	8.0 @ 22.00	†
TGC25-20	25	20.0 C.T. @ 1.25	10.0 @ 2.50	† ‡
TGC43-20	43	20.0 C.T. @ 2.20	10.0 @ 4.40	† ‡
TGC80-20	80	20.0 C.T. @ 4.00	10.0 @ 8.00	† ‡
TGC130-20	130	20.0 C.T. @ 6.50	10.0 @ 13.00	†
TGC175-20	175	20.0 C.T. @ 8.80	10.0 @ 17.60	†

STANCOR PART NUMBER	VA	Secondary RMS Rating		Agency Certif.
		Series Volts	Parallel Amps	
TGC25-24	25	24.0 C.T. @ 1.00	12.0 @ 2.00	† ‡
TGC43-24	43	24.0 C.T. @ 1.80	12.0 @ 3.60	† ‡
TGC80-24	80	24.0 C.T. @ 3.30	12.0 @ 6.60	† ‡
TGC130-24	130	24.0 C.T. @ 5.40	12.0 @ 10.80	†
TGC175-24	175	24.0 C.T. @ 7.30	12.0 @ 14.60	†
TGC25-28	25	28.0 C.T. @ 0.90	14.0 @ 1.80	† ‡
TGC43-28	43	28.0 C.T. @ 1.50	14.0 @ 3.00	† ‡
TGC80-28	80	28.0 C.T. @ 2.80	14.0 @ 5.60	† ‡
TGC130-28	130	28.0 C.T. @ 4.60	14.0 @ 9.20	†
TGC175-28	175	28.0 C.T. @ 6.25	14.0 @ 12.50	†
TGC25-36	25	36.0 C.T. @ 0.70	18.0 @ 1.40	† ‡
TGC43-36	43	36.0 C.T. @ 1.20	18.0 @ 2.40	† ‡
TGC80-36	80	36.0 C.T. @ 2.20	18.0 @ 4.40	† ‡
TGC130-36	130	36.0 C.T. @ 3.60	18.0 @ 7.20	†
TGC175-36	175	36.0 C.T. @ 4.80	18.0 @ 9.60	†
TGC25-230	25	230.0 C.T. @ 0.11	115.0 @ 0.22	‡
TGC43-230	43	230.0 C.T. @ 0.19	115.0 @ 0.38	‡
TGC80-230	80	230.0 C.T. @ 0.35	115.0 @ 0.70	‡
TGC130-230	130	230.0 C.T. @ 0.57	115.0 @ 1.14	‡
TGC175-230	175	230.0 C.T. @ 0.76	115.0 @ 1.52	‡

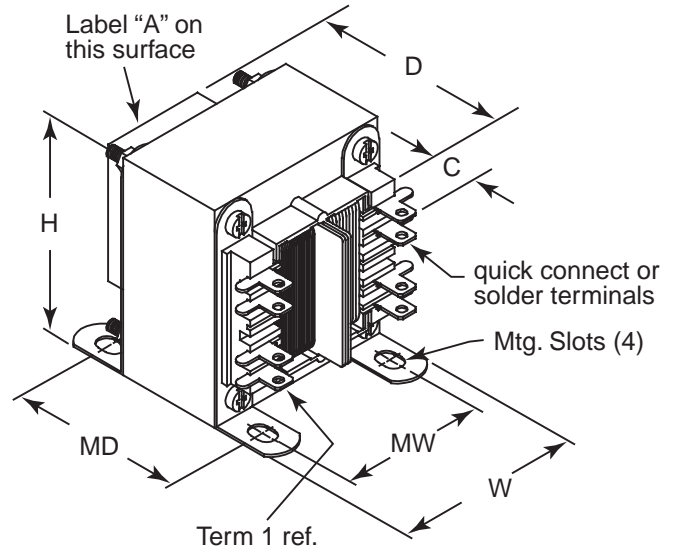
Agency Certification : †  ‡ 

TGC Series Dimensions and Requirements

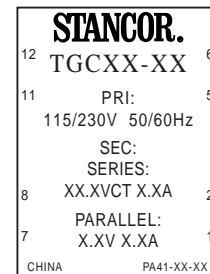
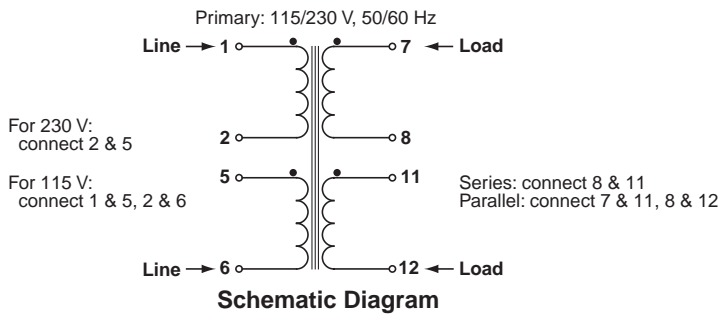
VA	Style	DIMENSIONS-INCHES								Weight (lbs.)	INPUT FUSE	
		H	W	D	MW	MD	C	Q.C.	Mounting Slots		Series	Parallel
25	S	2.38	2.81	1.94	2.38	-	0.31	.187	0.156 x 0.250	1.3	0.16A	0.315A
43	S	2.75	3.25	1.94	2.81	-	0.31	.187	0.187 x 0.281	1.8	0.315A	0.63A
80	NV	3.00	2.50	2.38	2.00	2.19	0.31	.187	0.218 x 0.312	2.9	0.5A	1.0A
130	NV	3.38	2.81	2.88	2.25	2.50	0.38	.250	0.218 x 0.312	4.5	1.0A	2.0A
175	NV	3.75	3.13	2.88	2.50	2.50	0.38	.250	0.187 x 0.375	5.6	1.25A	2.5A



Style S



Style NV



Label "A" Detail