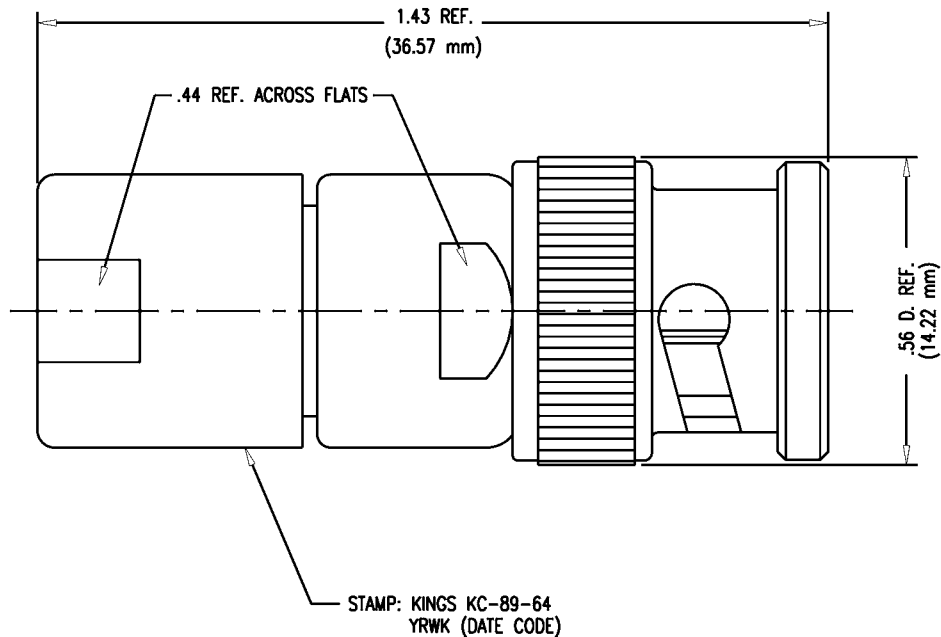


GSD

KC-89-64

REVISIONS	
ISSUE	CHANGES
10	CN 28232 E EAJ 08/18/86
11	CN 37955 E REDRAWN TML 01/21/00
12	CN 38173 E DCT 1/18/01
13	CN 38366 E TML 08/07/01



NOTES:

- INTERFACE PER MIL-STD-348, FIG. 301-1.
- MATERIALS:
INSULATOR: TEFLON, ASTM-D-1457
GASKET: SILICONE RUBBER, ZZ-R-765
SPRING WASHER: BER. COPPER, ASTM-B-196
ALL OTHER METAL PARTS: BRASS, ASTM-B16
- FINISHES:

CENTER CONTACT	} SILVER PLATE, PER QQ-S-365
SPRING WASHER	
SLEEVE	
BUSHING	

ALL OTHER METAL PARTS: KINGS TARNISH RESISTANT FINISH (TR-5)
- ELECTRICAL CHARACTERISTICS:
50 OHMS, 0.5 WATT ±1%, NON-INDUCTIVE
- SWR LESS THAN 1.08 OR RETURN LOSS -27.96 dB @ 100 MHz.

SCALE 4:1	
APPROX SURFACE AREA	
USED ON	
REF:	
TERMINATION, BNC 50 OHM, 1%, 1/2 W	
DRAWN A.T.	DATE 11/01/67
DESIGN	DATE
APPR. LI	DATE 11/06/67

KINGS
ELECTRONICS CO., INC.
ROCK HILL, SOUTH CAROLINA 29730

KC-89-64

GSD