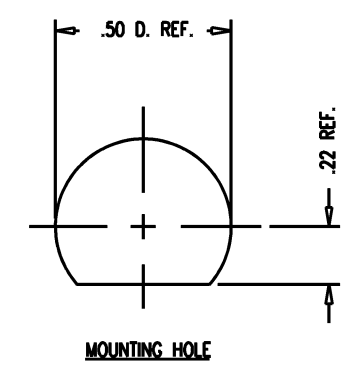
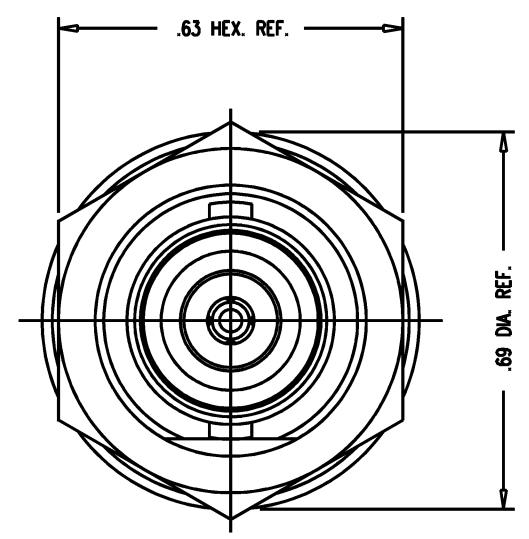
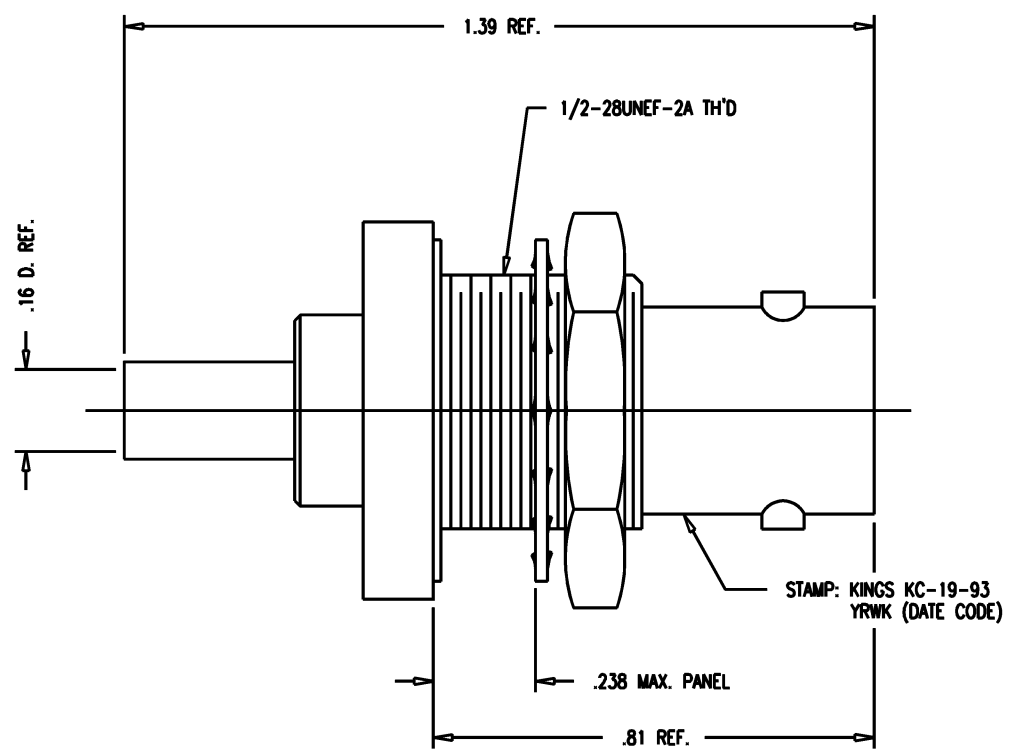


SD



SD

KC-19-93

REVISIONS

ISSUE	CHANGES
5	CN 36839 C REDRAWN KH 03/07/96
6	CN 37745 E HVN 01/14/99
7	CN 38091 E TML 09/11/00

WAS:  
KAM6453

KC1993S

SCALE 4:1

APPROX SURFACE AREA

USED ON

REF:

JACK, BULKHEAD, BNC

DRAWN KH DATE 03/07/96

DESIGN AR DATE 03/08/96

APPR. DATE

**KINGS**  
ELECTRONICS CO., INC.  
ROCK HILL, SOUTH CAROLINA 29730

KC-19-93

NOTES:

1. FOR USE WITH RG-174, 179A, 179B, 187, 187A, 188, & 188A/U CABLES.
2. FOR CABLING INSTRUCTIONS SEE CP-407.
3. FOR CRIMPING USE DIE KTH-2032.
4. INTERFACE PER MIL-STD-348, FIG. 301-2.
5. MATERIALS:  
LOCKWASHER: PHOSPHOR BRONZE, ASTM-B-103  
GASKET: SILICONE RUBBER, ZZ-R-765  
CENTER CONTACT: BER. COPPER, ASTM-B-196  
INSULATORS: TEFLON, ASTM-D-4894  
K-GRIP SLEEVE: COM. BRONZE, ASTM-B-135  
ALL OTHER METAL PARTS: BRASS, ASTM-B16

6. FINISHES:  
CENTER CONTACTS: SILVER PLATE PER QQ-S-365  
ALL OTHER METAL PARTS: KINGS TARNISH RESISTANT NICKEL FINISH (TR-5)
7. ELECTRICAL CHARACTERISTICS:  
FREQUENCY RANGE: DC TO 4 GHz.  
WORKING VOLTAGE: 500 VRMS  
NOMINAL IMPEDANCE: 50 OHMS